

MOSA M12 FEMALE 90° 3LED (IDC) V2A4-pol. 0.25...0.5mm²

F&B

Female 90°

M12, 4-pole

3× LED (PNP)

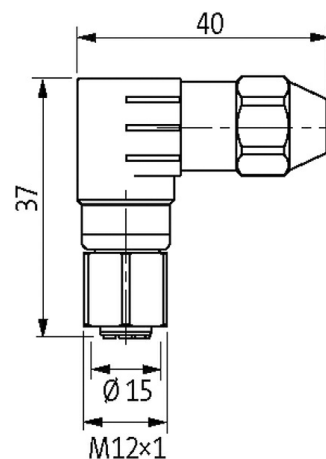
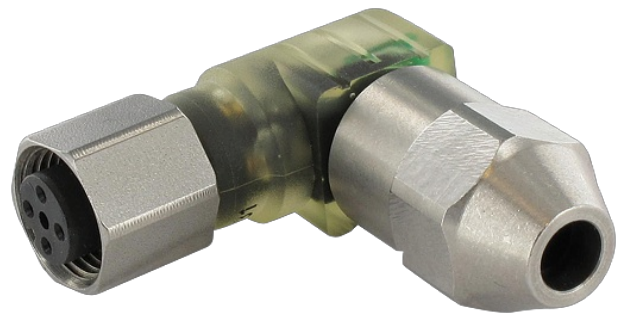
IDC terminals

Connection cross section: 0.25...0.5 mm²

V2A nut/screw

Plastic housings with good resistance against chemicals and oils.

The resistance to aggressive media should be individually tested for your application. Further details on request.

[Link to Product](#)**Illustration**

Product may differ from Image

Form

Form 12691

General data

Temperature range -25...+85 °C

Technical Data

Operating voltage 24 V AC/DC ±25%

Operating current per contact max. 4 A

Connection cross section 0.25...0.5 mm² (conductor diameter min. 0.1 mm)

Sealing range (cable Ø) 4...5.1 mm

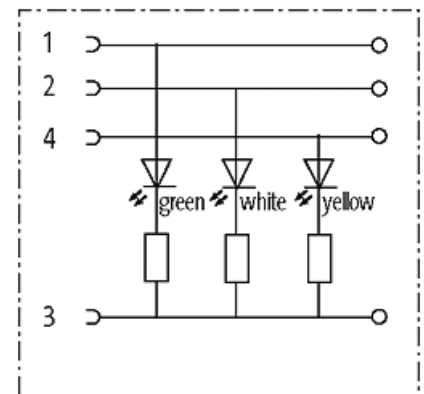
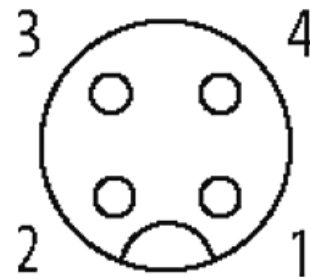
Wire isolation	PVC, PP, TPE
Outer wire Ø	1.2...1.6 mm
Locking of ports	Screw thread (M12×1 mm) recommended torque 0.6 Nm, self-securing
Protection	IP67 inserted and tightened (EN 60529)
Locking material	Stainless steel 1.4305 (V2A)

Commercial data

country of origin	DE
customs tariff number	85366990
EAN	4048879112079
eClass	27279220
Packaging unit	1

Sketch

Female



Product may differ from Image